

# Configurations

## Power units

### REMOTE



#### Features

- Quick approach
- Lifting
- Descent
- Safer remote operations

### TOP



#### Features

- Quick approach
- Lifting
- Quick descent
- Adjusting motor speed/lifting
- Motor speed/lifting selector
- Fine jack drop adjustment

### EASY



#### Features

- Quick approach
- Lifting
- Quick descent

### MANUAL

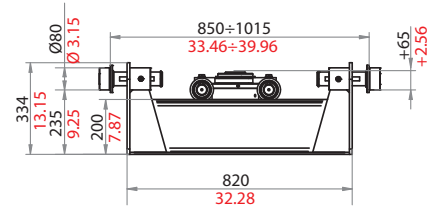
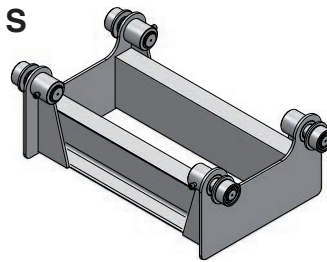


#### Features

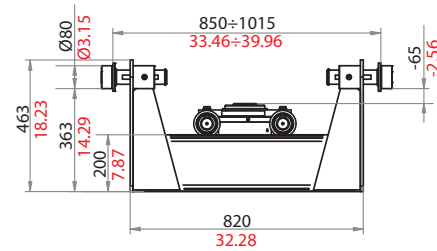
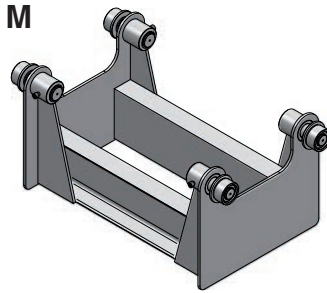
- Quick approach
- Lifting
- Descent

## Beams

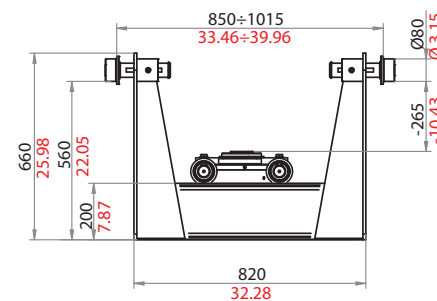
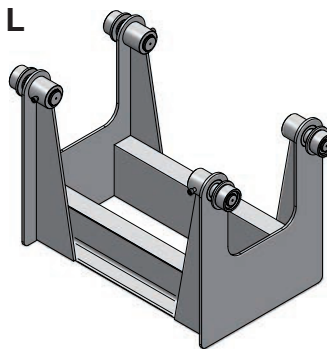
### S



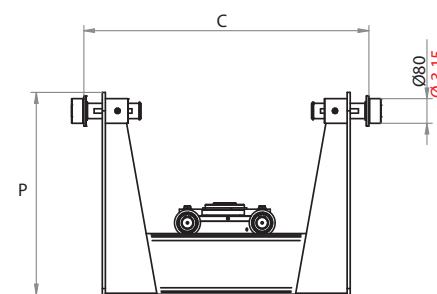
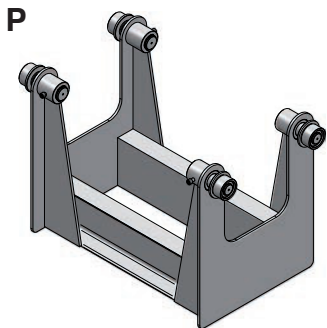
### M



### L

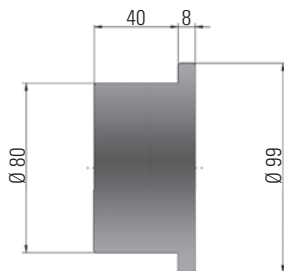


### P



## Wheels

### STANDARD



### CONICAL

